

**ILLUSTRATED PARTS BREAKDOWN**

**PARTNER**

**14.5 HP, 107 MOWER DECK**

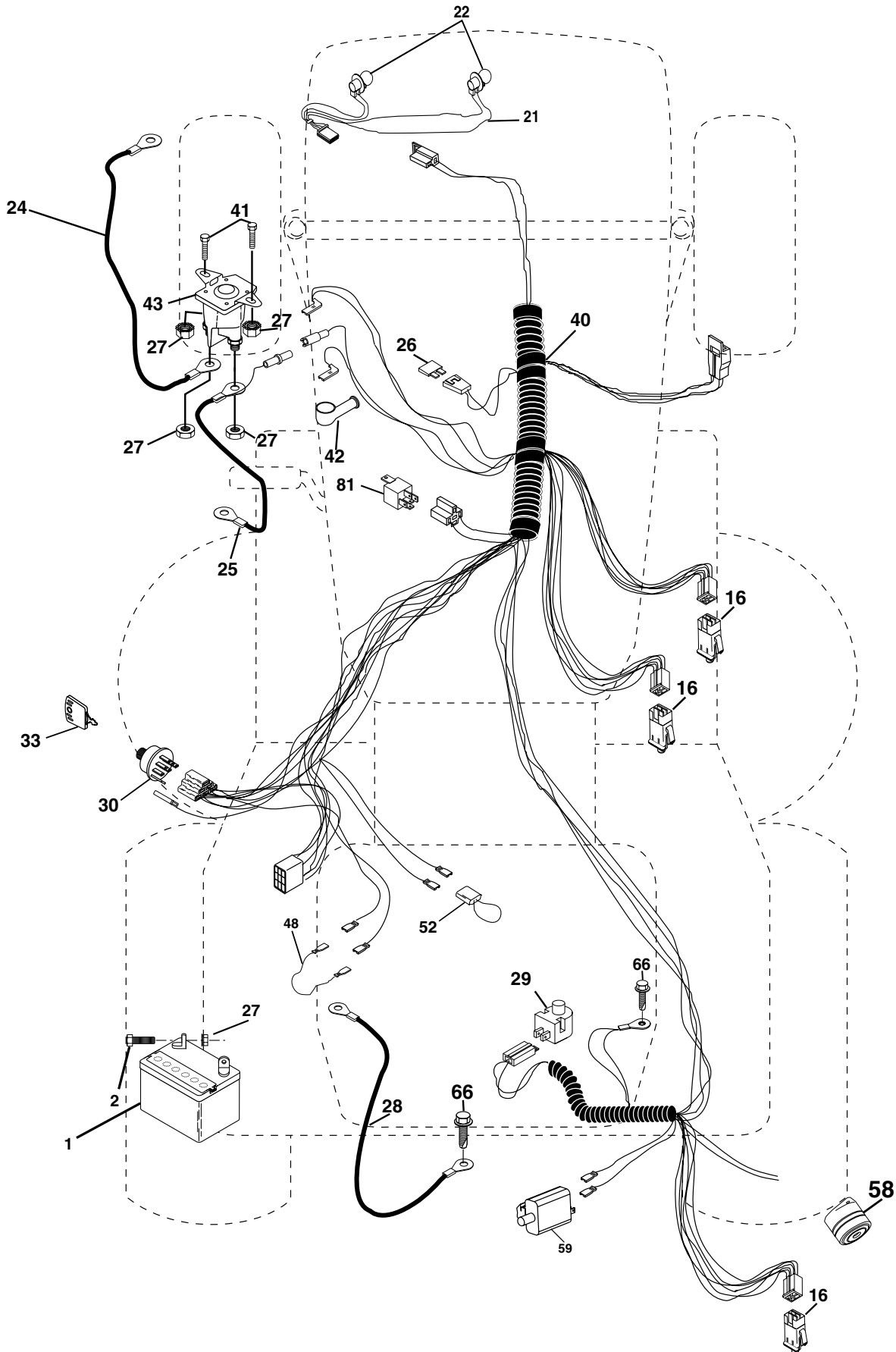
**LAWN TRACTOR**

**MODEL NUMBER 145HCRD (P145HCRDD)**

**954 56 47-26**

# REPAIR PARTS

TRACTOR- -MODEL NO. 145HCRD (P145HCRDD), PRODUCT 954 56 47-26  
ELECTRICAL



# REPAIR PARTS

TRACTOR- -MODEL NO. 145HCRD (P145HCRDD), PRODUCT 954 56 47-26  
ELECTRICAL

KEY NO.	PART NO.	DESCRIPTION
1	532 16 34-65	Battery
2	874 76 04-12	Bolt Hex Hd 1/4-20 Unc X 3/4
16	532 17 61-38	Switch Interlock
21	532 17 56-85	Harness Asm Light W/4152J
22	532 00 41-52	Bulb Light #1156
24	532 12 47-80	Cable Starter 6Ga 11" Red
25	532 16 59-87	Cable Battery Crd 56" Red
26	532 17 51-58	Fuse
27	873 51 04-00	Nut Keps Hex 1/4-20 Unc
28	532 12 77-25	Cable Ground 6Ga 18" Black
29	532 16 07-84	Switch Plunger Normal Op Olive
30	532 17 55-66	Switch Ignition
33	532 14 04-01	Key Ign Molded Indak
40	532 17 97-28	Harness Ign
41	871 11 04-08	Bolt Flk Fin Hex 1/4-20 Unc X 1/2
42	532 13 15-63	Cover Terminal Red
43	532 17 88-61	Solenoid
48	532 14 08-44	Adapter Ammeter Rectangular
52	532 14 19-40	Protection Wire Loop
58	532 16 94-19	Buzzer Crd
59	532 18 03-79	Switch FBI CRD
66	817 49 06-08	Screw Thdrol 3/8-16 x 1/2 Ty-Tt
81	532 10 97-48	Relay Asm

**NOTE:** All component dimensions given in U.S. inches.  
1 inch = 25.4 mm.



# REPAIR PARTS

## TRACTOR- -MODEL NO. 145HCRD (P145HCRDD), PRODUCT 954 56 47-26 CHASSIS AND ENCLOSURES

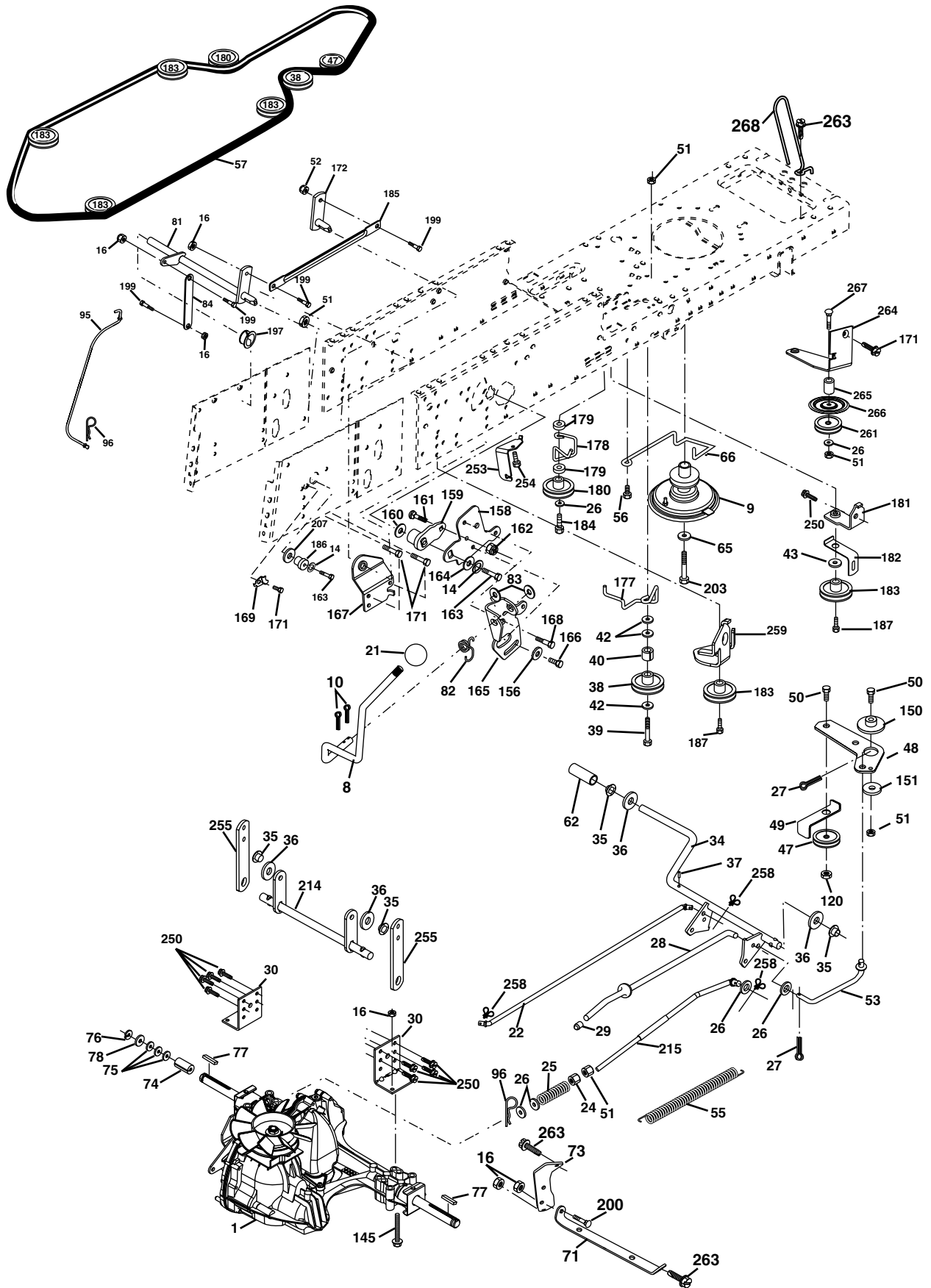
KEY NO.	PART NO.	DESCRIPTION
1	532 17 46-20	Chassis
2	532 18 03-84	Drawbar
3	817 06 06-12	Screw 3/8-16 x .75
5	532 15 52-72	Bumper Hood/Dash
6	532 15 59-23	Saddle
8	532 12 64-71	Clip Insulator 13/32 Mtg. Hole
9	532 17 22-43	Dash
10	872 14 06-08	Bolt, Carriage 3/8-16 x 3/4
11	532 17 49-96	Panel, Dash, L.H.
12	532 14 56-60	Clip Tinnerman Grille P/L
13	532 18 17-19	Panel, Asm. Dash R.H.
15	874 18 05-12	Screw, Machine, Truss Head 5/16-18 UNC x 3/4
16	873 51 05-00	Nut
17	532 16 03-82	Hood Assembly
20	532 18 06-79	Plate Mtg. Battery/Fuel Tank
24	874 78 06-16	Bolt
25	819 13 13-12	Washer 13/32 x 13/16 x 12 Gauge
26	873 80 06-00	Nut
28	532 17 91-00	Grille Lens Asm
29	532 16 81-54	Lens
30	532 18 13-86	Fender
31	532 16 51-56	Bracket, Fender Support
33	532 18 10-57	Footrest, L.H.
34	532 18 10-58	Footrest, R.H.
35	872 11 06-06	Bolt
37	817 49 05-08	Screw Thdrol 5/16-18 x 1/2 TYT
38	532 18 17-48	Bracket Asm Pivot Mower Rear
51	873 80 04-00	Nut Lock w/Insert 1/4-20 UNC
52	819 09 14-16	Washer 9/32 x 7/8 x 16 Ga.
53	532 14 46-97	Bracket Grille Lh
54	532 16 14-64	Screw Hex Wshd 8-18 x 7/8
55	532 14 46-96	Bracket Grille Rh
57	874 78 04-12	Bolt, Fin Hex 1/4-20 UNC x .75

KEY NO.	PART NO.	DESCRIPTION
58	532 15 01-27	Duct Air Engine Pl/Lt
69	532 14 24-32	Screw Hex 1/4-1/2
89	532 18 13-60	Console
145	532 15 65-24	Rod Pivot Chassis/Hood
161	532 16 46-55	Bumper Extrusion
162	532 18 03-82	Bracket Exten Chassis Lh CRD
163	532 18 03-83	Bracket Exten Chassis Rh CRD
164	532 16 56-05	Support Battery CRD
165	532 18 13-56	Cover Battery CRD Lt
170	532 17 88-62	Backplate Asm CRD
171	872 14 06-20	Bolt Rdhd Sqnk 3/8-16 x 2-1/2 G5
172	819 13 20-16	Washer 13/32 x 1-1/4 x 16 Ga.
173	873 51 06-00	Nut, Keps Hex 3/8-16 UNC
175	532 18 03-10	Trap Door CRD
179	532 18 03-76	Rod Pivot FBI CRD
184	532 17 46-62	Bracket Actuator Bagger CRD
185	532 18 11-01	Knob Rod
186	532 16 07-93	Latch Asm Multch Bagger
187	532 12 50-04	Nut Weld .327/.304 #10-24
188	819 06 12-16	Washer #10
189	810 07 10-00	Washer Lock #10
190	871 08 10-10	Screw Pan Hd Phillips 10-24 x 5/8
198	532 16 89-37	Nut Push
205	817 49 06-08	Screw 3/8-16 x 1/2
207	817 67 05-08	Screw Thdrol 5/16-18 x 1/2
208	817 67 06-08	Screw Thdrol 3/8-16 x 1/2
209	817 00 06-12	Screw Hex Wsh Thdrol 3/8-16 x 3/4
212	532 15 62-29	Insert Lens Reflective
214	532 12 47-88	Retainer Spring 1"
219	817 00 05-12	Screw 5/16-18 x 3/4
256	532 18 13-61	Cover Fender Rack CRD
--	532 00 54-79	Plug, Button

**NOTE:** All component dimensions given in U.S. inches.  
1 inch = 25.4 mm.

# REPAIR PARTS

TRACTOR- -MODEL NO. 145HCRD (P145HCRDD), PRODUCT 954 56 47-26  
DRIVE



# REPAIR PARTS

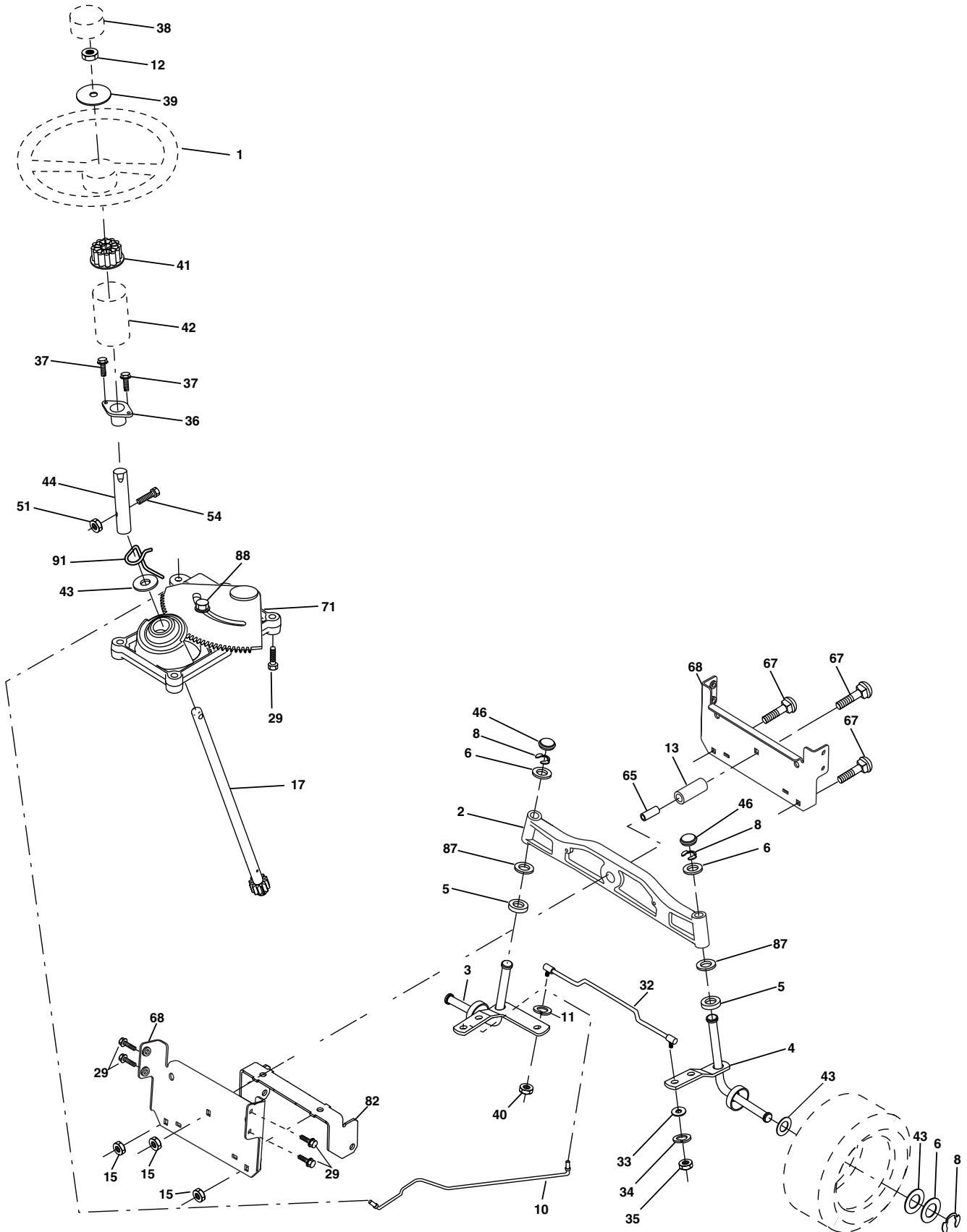
## TRACTOR- -MODEL NO. 145HCRD (P145HCRDD), PRODUCT 954 56 47-26 DRIVE

KEY NO.	PART NO.	DESCRIPTION	KEY NO.	PART NO.	DESCRIPTION
1	-----	Transaxle Hydro Gear 321-0510 (Order parts from transaxle manufacturer)	150	532 1658-50	Bushing, Bellcrank Grnd Dr
8	532 1656-19	Rod, Shift Fender Adjust Lt	151	819 1332-10	Washer 13/32 x 2 x 10 Ga.
9	532 1803-54	Clutch Noram	156	532 1660-02	Washer Srrted 5/16ID x 1.125
10	876 0204-16	Pin, Cotter 1/8 x 1	158	532 1655-89	Bracket Shift Mount
14	810 0404-00	Washer, Lock Hvy Helical	159	532 1654-94	Hub Tapered Flange Shift Lt
16	873 8005-00	Nut, Lock Hex w/Ins 5/16-18 UNC	160	819 2920-16	Washer 29/32 x 1-1/4 x 16 Ga.
21	532 1069-33	Knob	161	872 1404-06	Bolt Rdhd Sqnk 1/4-20 x 3/4 Gr 5
22	532 1756-07	Rod, Brake	162	873 6804-00	Nut Crownlock 1/4-20 Unc
24	873 3506-00	Nut	163	874 7804-16	Bolt Hex Fin 1/4-20 Unc x 1 Gr 5
25	532 1068-88	Spring, Rod, Brake	164	819 0910-10	Washer 5/8 x .281 x 10 Ga.
26	819 1313-16	Washer 13/32 x 13/16 x 16 Ga.	165	532 1656-23	Bracket Pivot Lever
27	876 0204-12	Pin, Cotter 1/8 x 3/4	166	532 1668-80	Screw 5/16-18 x 5/8
28	532 1757-65	Rod, Parking Brake	167	532 1655-88	Bracket Support Shift CRD
29	532 0716-73	Cap, Parking Brake	168	532 1654-92	Bolt Shoulder 5/16-18 x .561
30	532 1695-92	Bracket, Mfg. Transaxle	169	532 1655-80	Plate Fastening Lt
34	532 1755-78	Shaft, Asm Pedal Foot CRD	171	817 4906-08	Screw Thdrol 3/8-16 x 1/2 Ty-Tt
35	532 1201-83	Bearing, Nylon	172	532 1702-71	Shaft Asm Shifter Frt CRD
36	819 2116-16	Washer 21/32 x 1 x 16 Ga.	177	532 1659-32	Keeper Flat Idler 3.06" CRD
37	532 1249-63	Pin, Roll 3/16 x 1"	178	532 1659-33	Keeper Belt Idler 1.88" CRD
38	532 1659-36	Pulley Flat Composite 3.06"	179	532 1209-58	Washer Sintered
39	874 7606-44	Bolt Fin Hex 3/8-16 Unc x 2-3/4	180	532 1656-30	Pulley, Idler, Flat 1.88"CRD
40	532 1249-65	Spacer, Split 395 x 59 Bzp	181	532 1802-11	Bracket Idler Ground Drive CRD
42	819 1313-12	Washer 13/32 x 13/16 x 12 Ga.	182	532 1826-82	Keeper Belt 2.5"
43	819 1110-12	Washer 11/32 x 5/8 x 12 Ga.	183	532 1790-50	Pulley V-Idler 2.50" Od CRD
47	532 1277-83	Pulley, Idler, V Groove Plasitc	184	817 4906-44	Screw Hexwsh Thdrol 3/8-16 x 2-3/4
48	532 1544-07	Bellcrank Clutch Grnd Drv	185	532 1700-08	Link Shift
49	532 1232-05	Retainer, Belt Style Spring	186	532 1656-14	Hub Tapered Round CRD
51	873 6806-00	Nut, Crownlock 3/8-16 UNC	187	817 5805-20	Screw Thdrol 5/16-18 x 1.25
52	873 6805-00	Nut Crownlock 5/16-18	197	532 1696-13	Nyliner Snap-In 5/8
53	532 1057-10	Link, Clutch 7.66	199	532 1696-12	Bolt Shoulder 5/16-18 Unc
55	532 1057-09	Spring, Return, Clutch	200	872 1405-08	Bolt RDHD SQNK 5/16-18 x 1
56	817 0606-20	Screw 3/8-16 x 1-1/4	203	871 1707-80	Bolt Hex 7/16-20 x 5
57	532 1701-40	V-Belt Kev 112" 0650 CRD	207	532 1698-45	Washer Nylon Rear
62	532 1248-72	Cover, Pedal	214	532 1756-09	Shaft Asm. Brake
65	810 0407-00	Washer	215	532 1756-52	Rod Brake Hydro
66	532 1547-78	Keeper, Belt Engine F-Proof	250	817 0706-12	Screw 3/8-16 x .75
71	532 1691-83	Strap, Torque, Lh	253	532 1750-28	Bracket Cable Chassis
73	532 1691-82	Strap, Torque, Rh	254	817 0606-16	Screw 3/8-16 x 1
74	532 1370-57	Spacer, Split	255	532 1756-08	Brace Shaft Brake Mtg.
75	532 1217-49	Washer 25/32 x 1-1/4 x 16 Ga.	258	532 1780-62	Clip Retainer
76	812 0000-01	Ring, E	259	532 1802-12	Bracket Pulley
77	532 1235-83	Key, Square	261	532 1314-94	Pulley Idler
78	532 1217-48	Washer 25/32 x 1-5/8 x 16 Ga.	263	817 0606-12	Screw Thdrol 3/8-16 x 3/4
81	532 1700-06	Asm, Shaft	264	532 1819-95	Bracket Clutch Mounting
82	532 1657-11	Spring, Torsion	265	532 1820-13	Spacer Idler Chassis
83	819 1712-16	Washer 17/32 x 3/4 x 16 Ga.	266	532 1820-61	Shield Idler
84	532 1700-07	Link, Transaxle	267	872 1406-26	Bolt RDHD SQNK 3/8-16unc x 3-1/4
95	532 1700-15	Control Asm Bypass Hydro	268	532 1824-02	Guard Muffler
96	532 1247-88	Spring, Retainer 1"			
120	873 9006-00	Nut Lock Flg. 3/8-16 Unc			
145	874 4905-44	Bolt Hex FGHD 5/16-18 x Gr 5			

**NOTE:** All component dimensions given in U.S. inches  
1 inch = 25.4 mm

# REPAIR PARTS

TRACTOR- -MODEL NO. 145HCRD (P145HCRDD), PRODUCT 954 56 47-26  
STEERING ASSEMBLY





# REPAIR PARTS

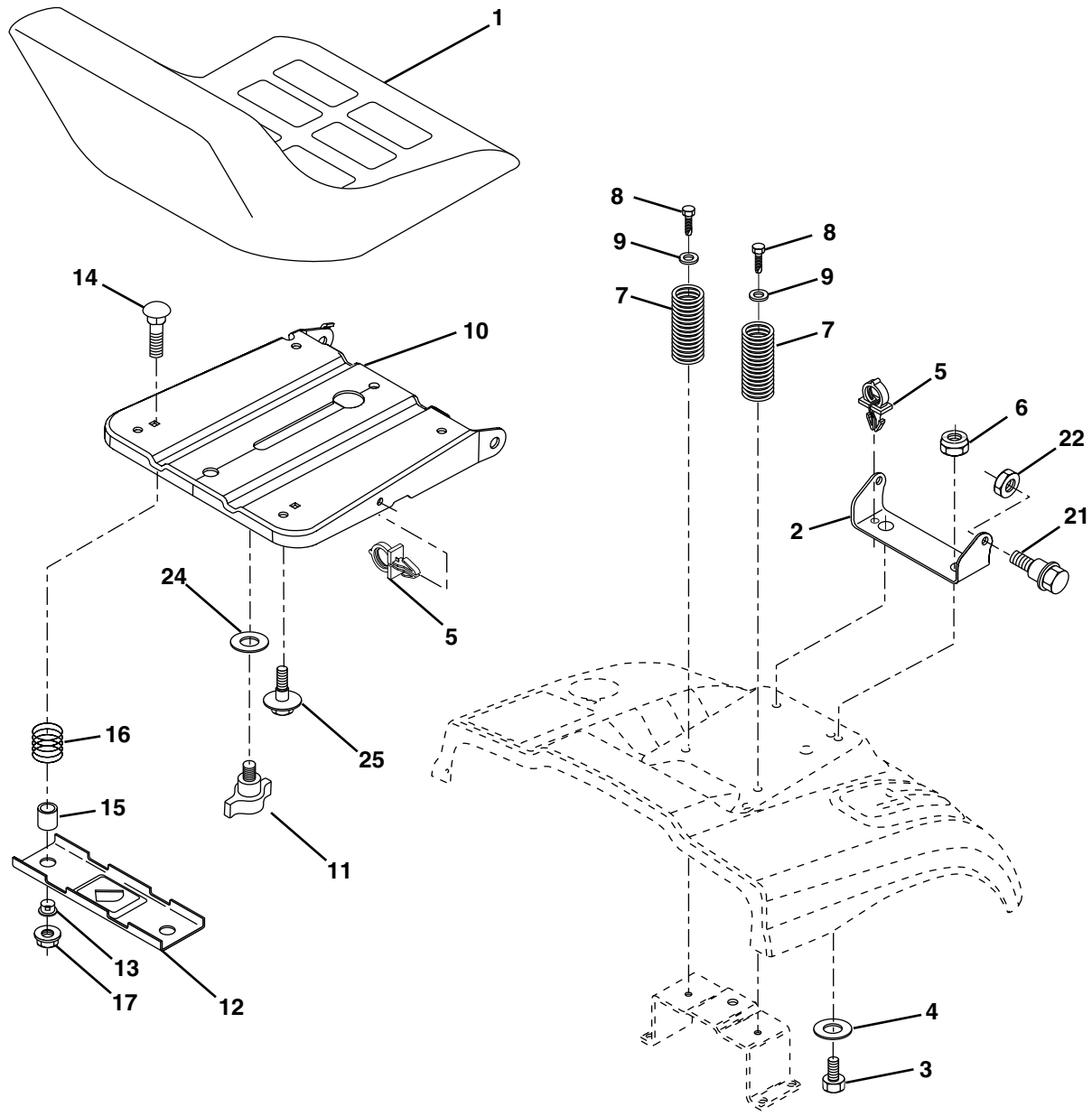
## TRACTOR- -MODEL NO. 145HCRD (P145HCRDD), PRODUCT 954 56 47-26 STEERING ASSEMBLY

KEY NO.	PART NO.	DESCRIPTION
1	532 1397-68	Steering Wheel
2	532 1723-93	Cast Iron Axle Assembly
3	532 1698-40	Spindle Assembly, L.H.
4	532 1698-39	Spindle Assembly, R.H.
5	532 1249-31	Bearing, Race, Thrust, Hardened
6	532 1217-48	Washer 25/32 x 1-5/8 x 16 Gauge
8	8120000-29	Ring, Klip
10	532 1751-21	Link, Drag
11	8100406-00	Washer, Lock
12	8739408-00	Nut Hex Jam Toplock 1/2-20 Unf
13	532 1365-18	Spacer Brg Axle Front
15	532 1452-12	Nut, Hexflange Lock
17	532 1806-41	Shaft Assembly, Steering
29	8170606-12	Screw, 3/8-16 x 3/4
32	532 1701-62	Rod, Tie
33	8191112-16	Washer 11/32 x 3/4 x 16 Ga
34	8100405-00	Washer Lock Hvy Hlcl Spr 5/16
35	8735405-00	Nut Crownlock 5/16-24 Unf
36	532 1550-99	Bushing, Steering
37	532 1529-27	Screw TT #10-32 x 5 x 3/8 Flange
38	532 1401-75	Cap Wheel Steer
39	8191838-12	Washer 9/16 x 2-3/8
40	532 1247-01	Nut Lock Center 3/8-24 Unf
41	532 1007-11	Adaptor, Steering Wheel
42	532 1696-33	Boot, Steering Dash P/L Mtl
43	532 1217-49	Washer 25/32 x 1-1/4 x 16 Gauge
44	532 1806-40	Extension Steering
46	532 1212-32	Cap, Spindle
51	8735404-00	Nut Crownlock 1/4-28
54	8711304-20	Bolt Hex 1/4-28unf x 1-1/4 Gr. 8
65	532 1603-67	Spacer Brace Axle
67	8721406-18	Bolt Rdhd Sq 3/8-16 UNC x 2-1/4
71	532 1751-46	Steering Asm.
68	532 1698-27	Brace Axle
82	532 1698-35	Bracket Susp Chassis Front
87	532 1739-66	Washer Flat .781 x 1-1/2 x .14
88	532 1751-18	Bolt Shoulder 7/16-20 Unc
91	532 1755-53	Clip Steering

**NOTE:** All component dimensions given in U.S. inches.  
1 inch = 25.4 mm.

# REPAIR PARTS

## TRACTOR- -MODEL NO. 145HCRD (P145HCRDD), PRODUCT 954 56 47-26 SEAT ASSEMBLY



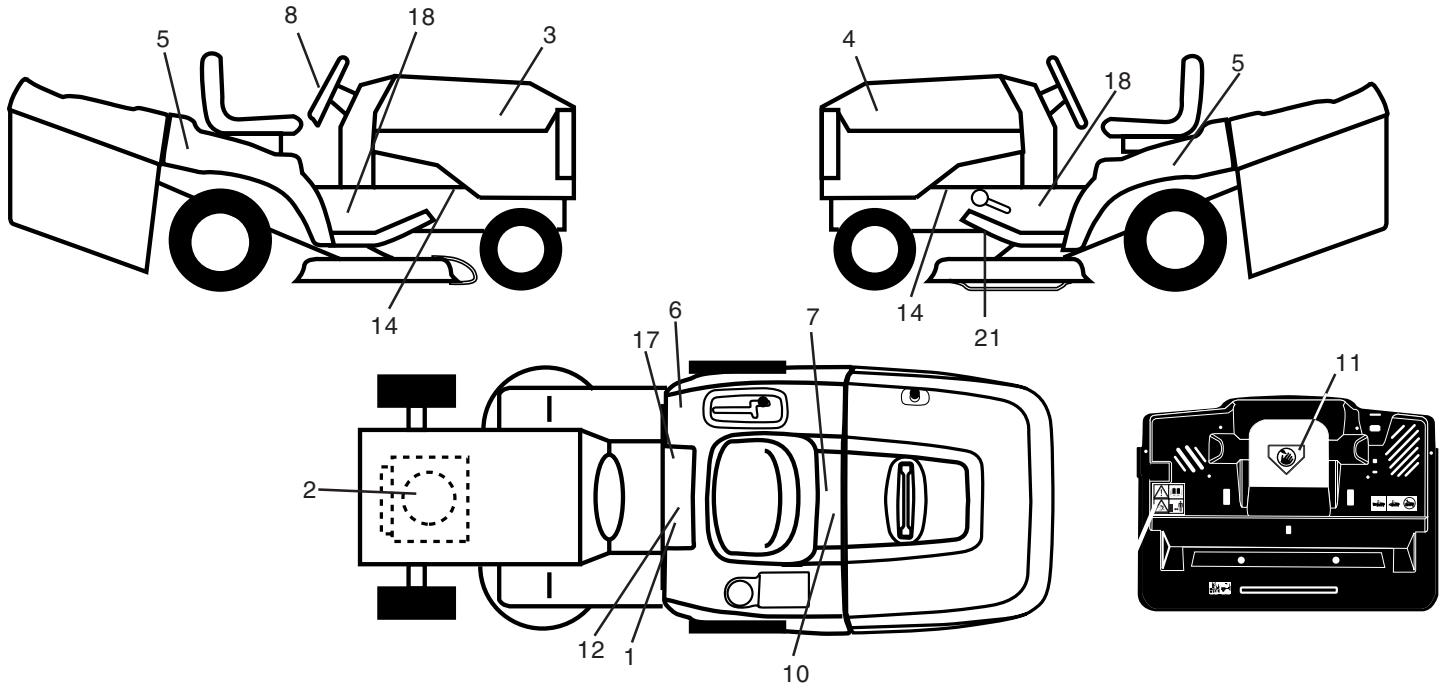
KEY NO.	PART NO.	DESCRIPTION
1	532 14 01-18	Seat
2	532 14 05-51	Bracket Pnt Pivot Seat (blk )
3	871 11 06-16	Bolt Fin Hex 3/8-16 Unc x 1
4	819 13 16-10	Washer Flat 13/32 x 1 x 10 Ga.
5	532 14 50-06	Clip Push In Hinged
6	873 80 06-00	Nut Lock Hex 3/8-16 Unc
7	532 12 41-81	Spring Seat Cprsn 2 250 Blk Zi
8	817 00 06-16	Screw 3/8-16 X 1-1/2
9	819 13 16-14	Washer 13/32 X 1 X 14 Ga
10	532 18 24-93	Pan Pnt Seat
11	532 16 63-69	Knob Seat Adj Wingnut
12	532 12 12-46	Bracket Pnt Mounting Switch

KEY NO.	PART NO.	DESCRIPTION
13	532 12 12-48	Bushing Snap Blk Nyl 50 Id
14	872 05 04-12	Bolt Rdhd Sht Nk 1/4-20x1-1/2
15	532 12 12-49	Spacer Split
16	532 12 37-40	Spring Cprsn Plate SW 1.310 Ga
17	532 12 39-76	Nut Lock 1/4 Lge Flg Gr 5 Zinc
21	532 17 18-52	Bolt Shoulder 5/16-18 Unc-2A
22	873 80 05-00	Nut Hex Lock w/Ins 5/16-18
24	819 17 19-12	Washer 17/32 X 1-3/16 X 12 Ga.
25	532 12 70-18	Bolt Shoulder 5/16-18 X 62

**NOTE:** All component dimensions given in U.S. inches.  
1 inch = 25.4 mm

# REPAIR PARTS

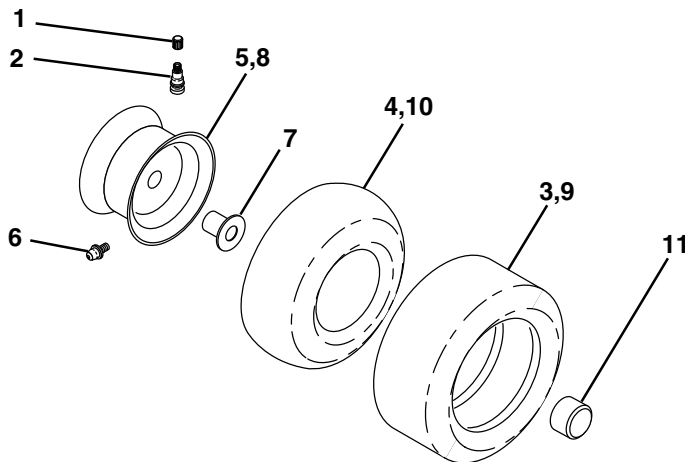
## TRACTOR- -MODEL NO. 145HCRD (P145HCRDD), PRODUCT 954 56 47-26 DECALS



KEY NO.	PART NO.	DESCRIPTION
1	532 14 54-98	Decal Read Owner's Manual Sym
2	532 17 63-96	Decal Hp Engine
3	532 16 71-53	Decal Hood RH
4	532 16 71-54	Decal Hood LH
5	532 14 09-50	Decal Fender Automatic
6	532 18 04-32	Decal 100 DBA
7	532 14 09-87	Decal Fender
8	532 14 69-98	Decal Steering Wheel
10	532 14 50-05	Decal Bat Dan/Poi P/L Sym Wpn

KEY NO.	PART NO.	DESCRIPTION
11	532 18 21-66	Decal Mower Cut Finger
12	532 15 97-37	Decal Brake/Clutch Symbol Lt
14	532 15 97-36	Decal Chassis Hot Muffler
17	532 14 08-37	Decal Saddle Brake Parking
18	532 13 75-88	Decal Chas Turbo
21	532 16 62-86	Decal Hex Belt Sch
—	532 16 69-60	Decal Bypass Fender CRD
—	532 13 83-11	Decal Lift Handle
—	532 18 10-90	Pad Footrest RH
—	532 18 01-91	Pad Footrest LH
—	532 18 39-59	Manual Operator's (Euro)
—	532 18 39-60	Manual Operator's (Scan)

## WHEELS & TIRES

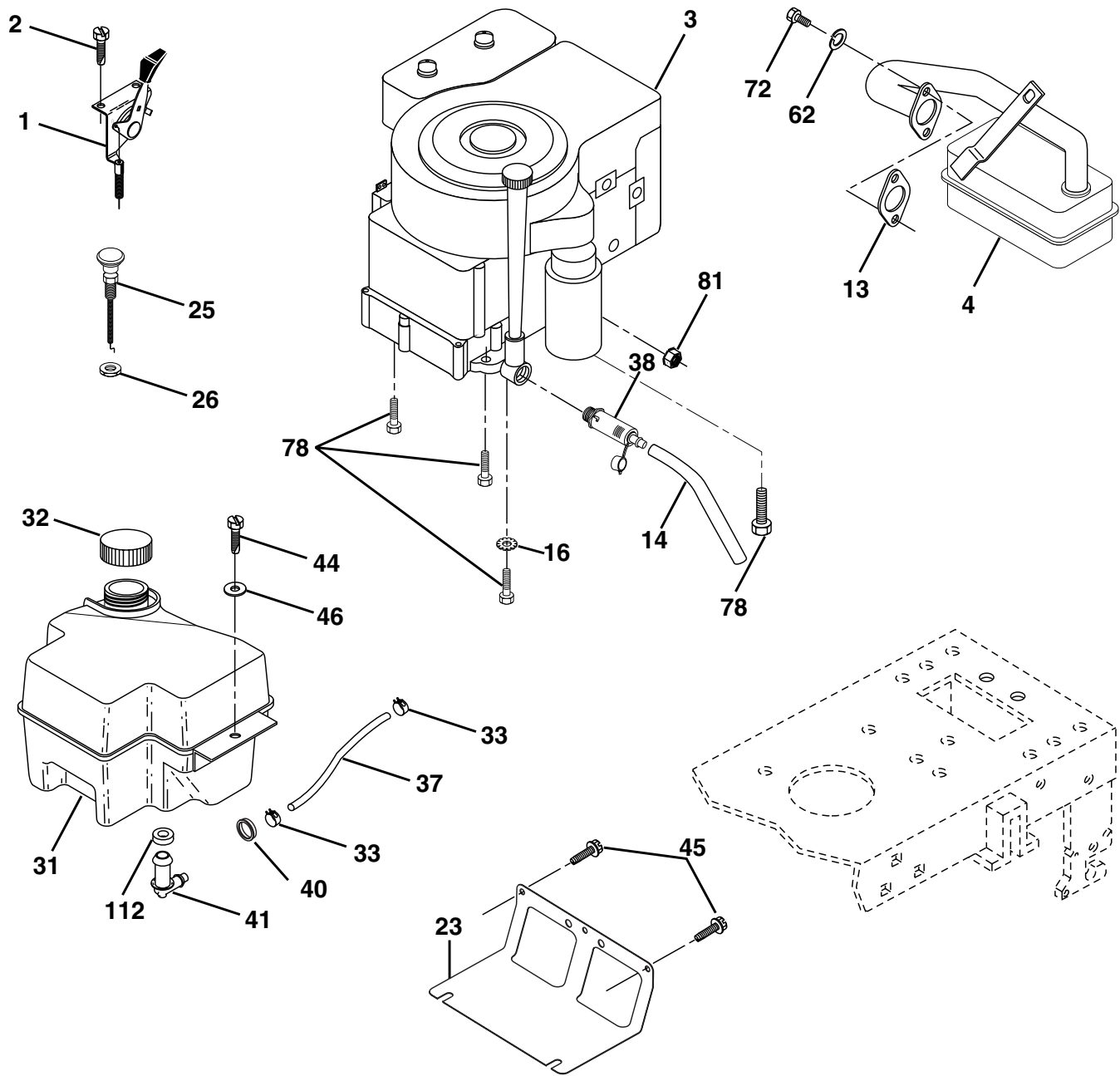


KEY NO.	PART NO.	DESCRIPTION
1	532 05 91-92	Cap Value Tire
2	532 06 51-39	Stem Value
3	532 10 62-22	Tire F Ts 15 X 6 0 - 6 Service
4	532 05 99-04	Tube Inner Front #35060
5	532 12 51-21	Rim Asm 6" front Service
6	532 12 49-57	Fitting Grease
7	532 12 49-59	Bearing Flange
8	532 12 51-22	Rim Asm 8" rear Service
9	532 13 84-68	Tire R Ts 20 x 8-8 Service
10	532 12 49-26	Tube Rear 9 5 X 8 Service
11	532 17 50-39	Cap Axle Blk 1 50 X 1 00
--	532 14 43-34	Sealant, Tire (10 oz. tube)

**NOTE:** All component dimensions given in U.S. inches  
1 inch = 25.4 mm

# REPAIR PARTS

TRACTOR- -MODEL NO. 145HCRD (P145HCRDD), PRODUCT 954 56 47-26  
ENGINE



**OPTIONAL EQUIPMENT**  
**Spark Arrester**

# REPAIR PARTS

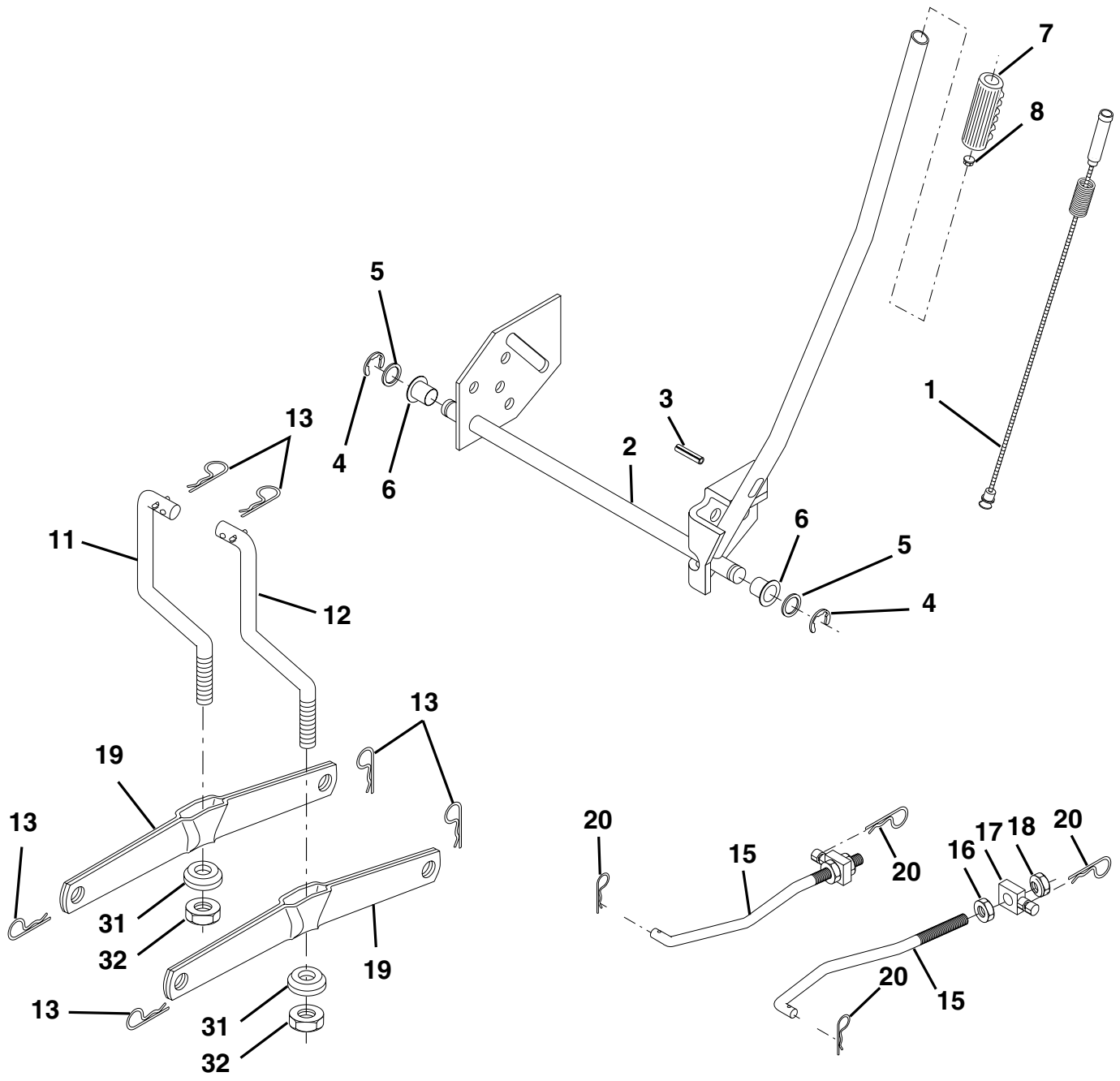
TRACTOR- -MODEL NO. 145HCRD (P145HCRDD), PRODUCT 954 56 47-26  
ENGINE

KEY NO.	PART NO.	DESCRIPTION
1	532 17 05-51	Control Throt Flag
2	817 72 04-08	Screw Hex Thd Cut 1/4-20x1/2
3	-----	Engine B&S Model 287707 (Order Parts from Engine Manufacturer)
4	532 13 73-52	Muffler Exhaust
13	532 16 52-91	Gasket Muffler
14	532 14 84-56	Tube Drain Oil Easy
16	811 05 06-00	Washer Lock Ext Tooth 3/8
23	532 16 98-37	Shield BRN/DBR Guard
25	532 18 09-45	Control Choke
26	873 92 06-00	Nut Keps 3/8-24 Unf
29	532 13 71-80	Arrestor Spark
31	532 18 06-45	Tank Fuel Front 2.00 Gal.
32	532 14 05-27	Cap Fuel Asm Top Vent
33	532 12 34-87	Clamp Hose Blk
37	532 13 70-40	Line Fuel
38	532 14 83-15	Plug Drain Oil Easy
40	532 12 40-28	Bushing Snap
41	532 13 92-77	Stem Tank Fuel
44	817 67 04-12	Screw Hexwsh Thdrol 1/4-20 x 3/4
45	817 00 06-12	Screw 3/8-16 x 3/4
46	819 09 14-16	Washer 9/32 X 7/8 X 16ga
62	810 04 05-00	Washer Lock Hvy HLCL Spr 5/16
72	871 07 05-12	Screw Hex HD Cap 5/16-18 x 3/4
78	817 06 06-20	Screw 3/8-16 x 1-1/4
81	873 51 04-00	Nut Keps 1/4-20 UNC
112	532 12 49-52	Bushing

**NOTE:** All component dimensions given in U.S. inches  
1 inch = 25.4 mm

# REPAIR PARTS

TRACTOR- -MODEL NO. 145HCRD (P145HCRDD), PRODUCT 954 56 47-26  
MOWER LIFT



# REPAIR PARTS

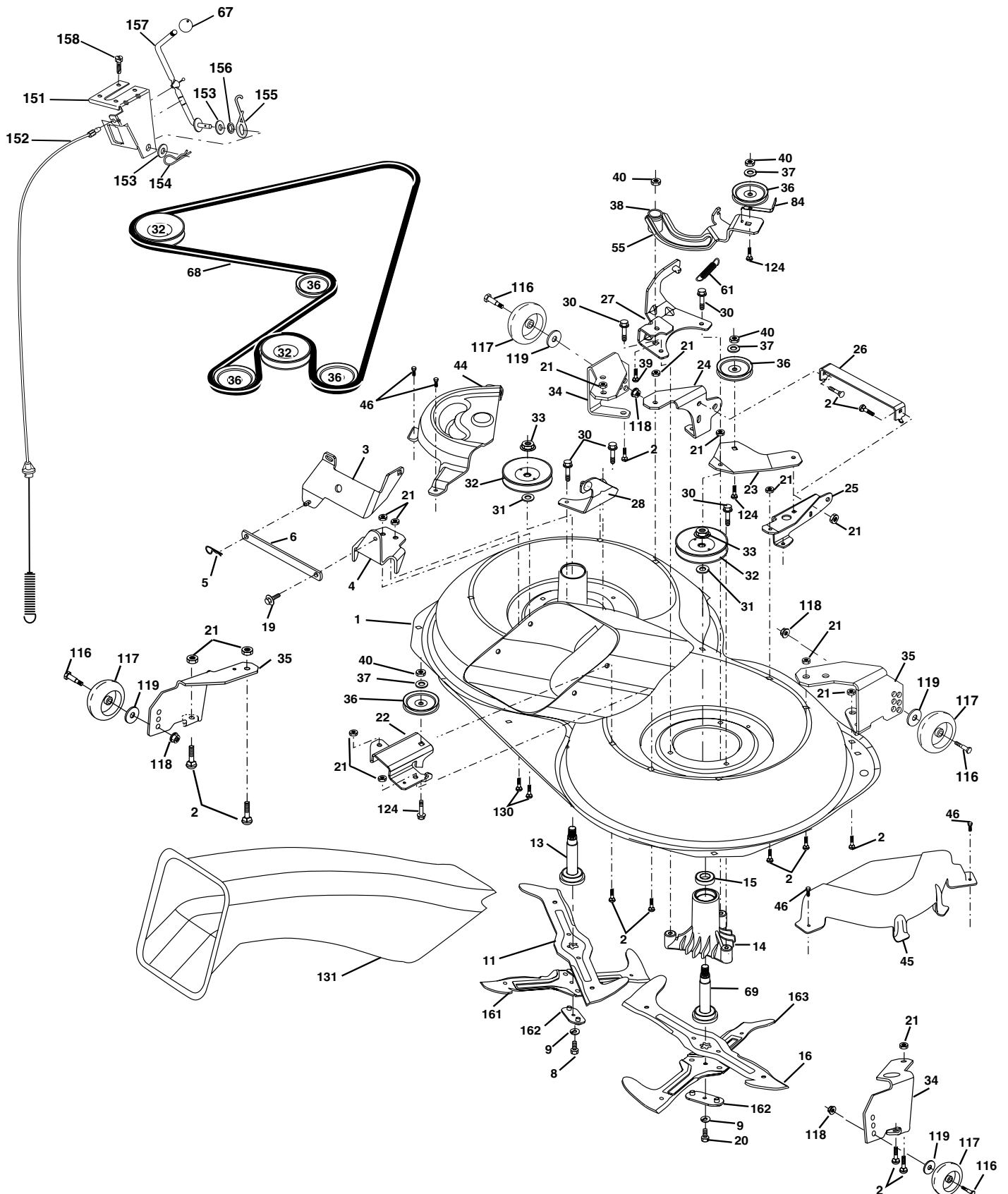
TRACTOR- -MODEL NO. 145HCRD (P145HCRDD), PRODUCT 954 56 47-26  
MOWER LIFT

KEY NO.	PART NO.	DESCRIPTION
1	532 15 94-60	Washer Asm Inner Spring W/Plunger
2	532 15 94-71	Shaft Asm. Lift
3	532 10 57-67	Pin Groove
4	812 00 00-02	E Ring #5133-62
5	819 21 16-21	Washer 21/32 x 1 x 21 Ga.
6	532 12 01-83	Bearing Nylon
7	532 10 94-13	Grip Handle Bicycle
8	532 12 45-26	Button Plunger Black
11	532 16 58-29	Link Asm Lift L.H.
12	532 16 58-31	Link Asm Lift R.H.
13	532 12 46-70	Retainer Spring
15	532 17 32-88	Link Front
16	873 35 08-00	Nut Jam Hex 1/2-13 Unc
17	532 17 56-89	Trunnion
18	873 80 08-00	Nut Lock w/Wsh 1/2-13 Unc
19	532 13 98-68	Arm Suspension Mower
20	532 16 35-52	Retainer Spring
31	532 16 98-65	Bearing, Pvt. Lift
32	873 54 06-00	Nut Crownlock 3/8-24

**NOTE:** All component dimensions given in U.S. inches  
1 inch = 25.4 mm

# REPAIR PARTS

TRACTOR- -MODEL NO. 145HCRD (P145HCRDD), PRODUCT 954 56 47-26  
MOWER





# REPAIR PARTS

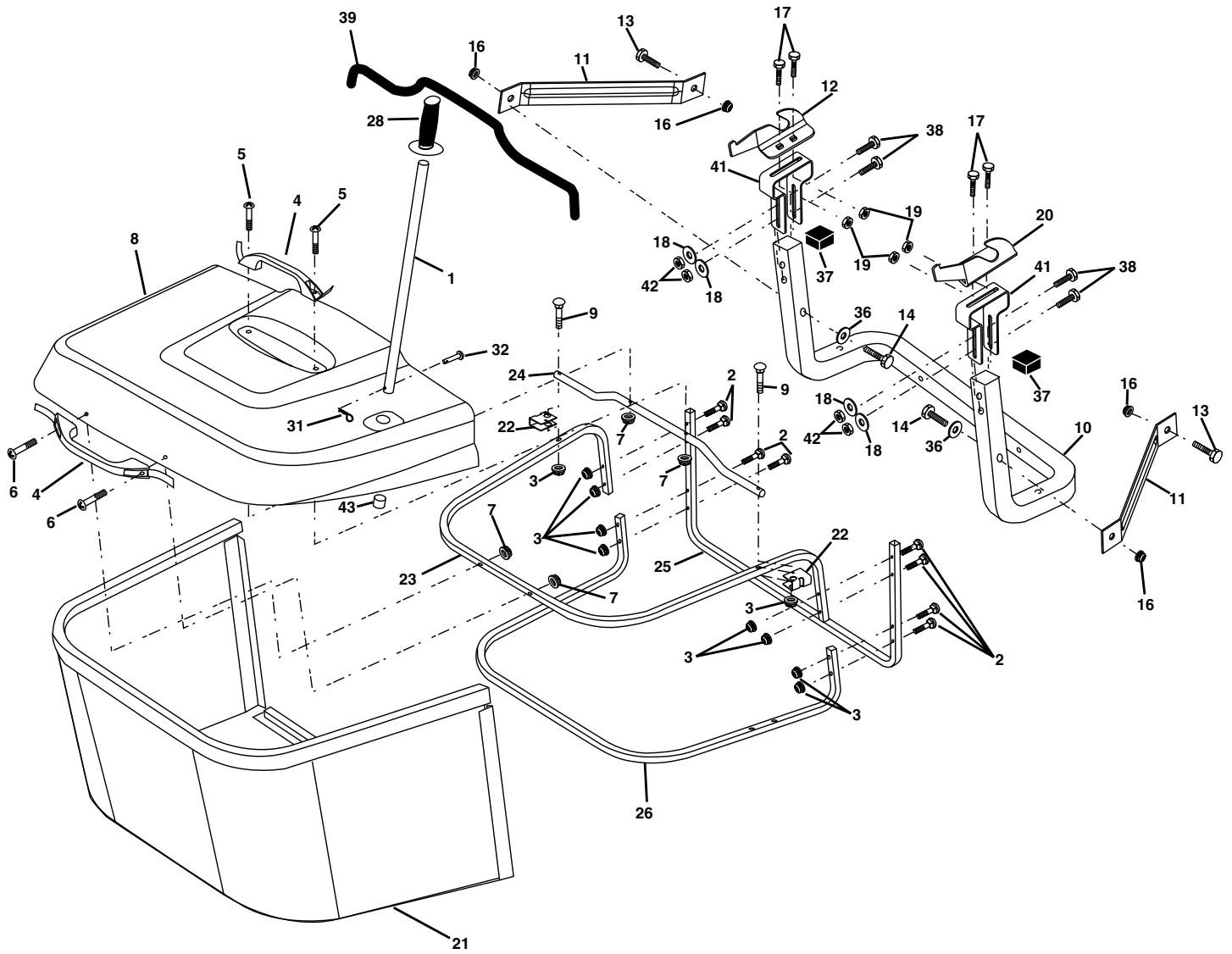
TRACTOR- -MODEL NO. 145HCRD (P145HCRDD), PRODUCT 954 56 47-26  
MOWER

KEY NO.	PART NO.	DESCRIPTION	KEY NO.	PART NO.	DESCRIPTION
1	532 1691-60	Housing Asm. Mower	44	532 17 55-38	Cover Mandrel Lh
2	872 14 05-06	Bolt Rdhd Sqnk 5/16-18 Unc x 3/4	45	532 17 55-39	Cover Mandrel Rh
3	532 16 55-69	Bracket Asm. S-Bar Chass	46	532 13 77-29	Screw Thd Roll 1/4-20 x 5/8
4	532 1691-67	Bracket Bar Sway Deck	55	532 16 98-49	Arm Idler 107 CRD
5	532 12 46-70	Retainer Spring	61	532 17 51-59	Spring Tension Belt
6	532 16 55-57	Bar Sway	67	532 10 69-32	Knob Rd 3/8-16 Plstc Thds Blk
8	532 18 17-13	Bolt 3/8-24 x 1.25 Gr8 Patched	68	532 16 91-78	Hex-Belt Mower
9	810 03 06-00	Washer Lock Hvy 3/8 Unplated	69	532 16 54-82	Shaft Asm W/Lwr Brg Rh Thd CRD
11	532 18 05-83	Blade 3-1 Lh	84	532 15 60-85	Keeper Belt Idler
13	532 13 76-45	Shaft Asm. W/Lower Bearing	116	532 13 76-44	Bolt Shoulder
14	532 12 87-74	Housing Mandrel Vented (Machd)	117	532 13 39-57	Wheel Gage Donut Wide
15	532 11 04-85	Bearing Ball Mandrel	118	873 93 06-00	Nut Centerlock 3/8-16 Unc
16	532 18 05-84	Blade 3-1 Rh	119	819 12 14-14	Washer 3/8 x 7/8 x 14 Ga.
19	532 13 28-27	Bolt Shoulder 5/16-18 Thd Form	124	872 11 06-12	Bolt Carr Sh 3/8-16 x 1-1/2 Gr5
20	532 18 17-12	Bolt 3/8-24 x 1.25 Gr8 Ptch Lhthd	130	872 11 05-06	Bolt Rdhdsqnk 5/16-18 Unc x 3/4
21	873 68 05-00	Nut Crown Lock 5/16-18	131	532 16 56-61	Chute Bagger CRD 92cm
22	532 16 91-65	Bracket Idler RR	151	532 16 96-70	Bracket Clutch Cable
23	532 16 91-66	Bracket Idler RF	152	532 17 60-74	Cable Clutch CRD Service
24	532 16 91-70	Bracket Suspension LF	153	532 16 96-74	Washer Flat 3/8" Type B
25	532 16 91-71	Bracket Suspension RF	154	532 16 96-75	Spring Retainer
26	532 16 52-37	Brace Support Susp Frt CRD	155	532 16 96-71	Spring Retainer Lvr Cltch Cab
27	532 16 91-72	Bracket Asm. Susp RR	156	532 16 96-72	Spacer Clutch Cable
28	532 16 91-68	Bracket Asm. Susp LR	157	532 16 96-69	Rod Clutch Cable 3/8"
30	532 17 39-84	Screw Thd Rolling	158	817 72 04-08	Screw Hex Thdcut 1/4-20 x 1/2
31	532 12 99-63	Washer Spacer Mower Vented	161	532 18 04-24	Blade Cross LH
32	532 17 57-07	Mandrel Pulleys	162	532 18 08-78	Adapter Weldment Blade
33	532 17 83-42	Nut Flg Top Lock	163	532 18 04-25	Blade Cross RH
34	532 17 95-09	Bracket Gauge Wheel Lf	-	532 18 18-57	Mandrel Asm Service
35	532 17 62-92	Bracket Gauge Wheel Rf	-	532 18 18-58	Mandrel Asm CRD Lh Threads SVC
36	532 14 67-63	Pulley Idler V-Groove Dim 4.25	-	532 18 17-70	Deck Mower Complete
37	819 13 13-16	Washer 11/32 x 13/16 x 16 Ga			
38	532 16 98-51	Spacer Hub Arm Idler 107 CRD			
39	872 11 06-22	Bolt Rdhd 3/8-16 Unc x 2-3/4 Gr. 5			
40	873 68 06-00	Nut Crownlock 3/8-16 Unc			
41	873 90 06-00	Nut Lock Flg. 3/8-16 Unc			

**NOTE:** All component dimensions given in U.S. inches  
1 inch = 25.4 mm

# REPAIR PARTS

TRACTOR- -MODEL NO. 145HCRD (P145HCRDD), PRODUCT 954 56 47-26  
BAGGER



# REPAIR PARTS

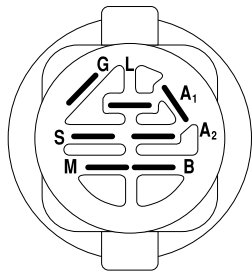
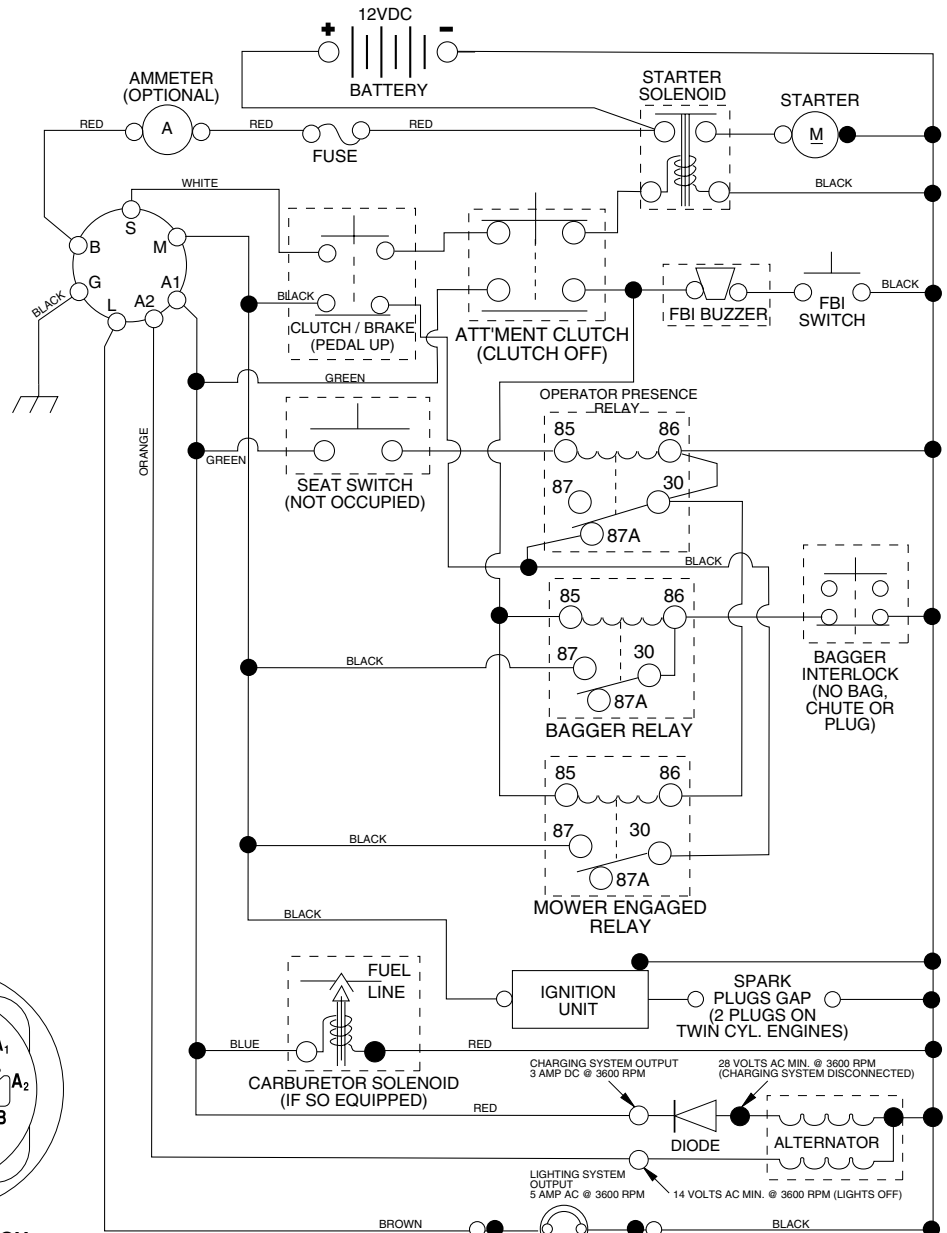
TRACTOR- -MODEL NO. 145HCRD (P145HCRDD), PRODUCT 954 56 47-26  
BAGGER

KEY NO.	PART NO.	DESCRIPTION
1	532 16 52-49	Tube Handle Bagger CRD
2	872 14 04-16	Bolt Carriage 1/4-20 X 2.0 Gr.5
3	532 12 39-76	Nut Lock 1/4 Lge Flg Gr. 5 Zinc
4	532 16 99-16	Handle Bagger w/Lvrs Gr. 5 Zinc
5	874 98 10-24	Screw Pan Head #10-24 X 1.50 Blk
6	874 98 10-32	Screw Pan Hd
7	873 40 10-00	Nut Wiz Lock Hex Serr/Hd #10-24
8	532 16 99-63	Cover Bagger
9	872 14 04-18	Bolt Carriage 1/4-20 x 2.25d x Gr.5
10	532 18 12-82	Tube Support Bagger CRD
11	532 16 57-19	Bracket Support Upper Bag CRD
12	532 16 96-85	Bracket Horiz. Adj Bagger
13	872 11 06-06	Bolt Rdhd Sht Sqnk 3/8-16 X 3/4
14	874 52 06-36	Bolt Hex 3/8-16 X 2-1/4 Gr. 5
16	873 90 06-00	Nut Lock Flg 3/8-16 Unc
17	872 14 05-06	Bolt Rdhd Sht Sqnk 5/16-18Unc X 3/4
18	819 11 12-16	Washer 11/32 x 3/4 x 16
19	873 90 05-00	Nut Lock Hex Flange 5/16-18
20	532 16 96-84	Bracket Horiz Adj Bagger
21	532 18 08-80	Bag Asm CRD
22	532 16 57-81	Bracket Side Bagger CRD
23	532 16 57-82	Tube Upper Bagger CRD
24	532 16 57-83	Tube Pivot Bagger CRD
25	532 18 01-24	Tube Front Bagger CRD
26	532 16 57-85	Tube Lower Bagger CRD
28	532 16 57-87	Grip Handle Black
31	532 12 47-88	Retainer Spring 1" Zinc/Cad
32	532 12 68-75	Rivet Rd Hd Drilled 3/8 Dia
36	819 13 20-16	Washer 13/32 x 1-1/4 x 16 Ga.
37	532 17 54-01	Plug Support Bagger CRD
38	872 01 05-20	Bolt 5/16-18 x 2-1/2
39	532 18 09-85	Seal
41	532 16 96-83	Bracket Vert Adj Bagger CRD
42	873 80 05-00	Nut Lock Hex W/Ins 5/16-18 UNC
43	532 17 40-83	Plug Tubing

**NOTE:** All component dimensions given in U.S. inches  
1 inch = 25.4 mm

# TRACTOR- -MODEL NO. 145HCRD (P145HCRDD), PRODUCT 954 56 47-26

## SCHEMATIC



### IGNITION SWITCH

POSITION	CIRCUIT	"MAKE"
OFF	M+G+A1	NONE
RUN/LIGHT	B+A1	A2+L
RUN	B+A1	NONE
START	B + S + A1	NONE

**WIRING INSULATED CLIPS**  
**NOTE:** IF WIRING INSULATED CLIPS WERE REMOVED FOR SERVICING OF UNIT, THEY SHOULD BE REPLACED TO PROPERLY SECURE YOUR WIRING.

● NON-REMOVABLE CONNECTIONS

○ REMOVABLE CONNECTIONS

### PTO SWITCH

POSITION	CIRCUIT
OFF	C + G, B + H
ON	C + F, B + E, A + D

### HEADLIGHTS

**NOTE**  
 YOUR TRACTOR IS EQUIPPED WITH A SPECIAL ALTERNATOR SYSTEM. THE LIGHTS ARE NOT CONNECTED TO THE BATTERY, BUT HAVE THEIR OWN ELECTRICAL SOURCE. BECAUSE OF THIS, THE BRIGHTNESS OF THE LIGHTS WILL CHANGE WITH ENGINE SPEED. AT IDLE THE LIGHTS WILL DIM. AS THE ENGINE IS SPEEDED UP, THE LIGHTS WILL BECOME THEIR BRIGHTEST.

